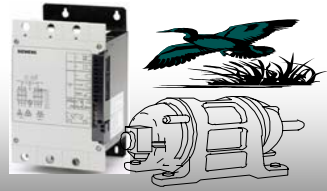


SIRIUS Soft Starter 3RW34



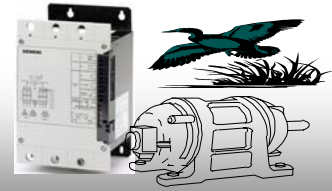
- **SIKOSTART 3RW34 soft starters**
- Power range from 55 kW to 1050 kW
- Soft-start and soft-stop
- Substitutes star-delta starters directly
- Economical, as operation is possible in *"inline-circuit"* (3 wires to motor) or *"inside-delta-circuit"* (6 wires to motor)
- AS-i bus-compatible (optional)

TINAMiCS Co., Ltd
25/285
RamKhamHaeng 124
Sapansoong,
Sapansoong,
Bangkok 10240

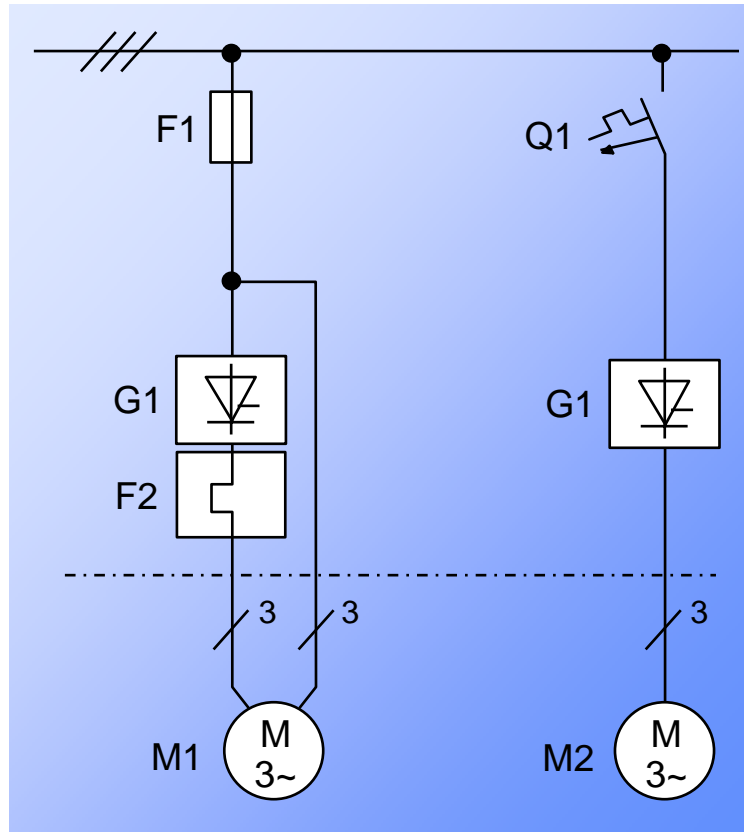
Tel. : (+66) 0 2728-2902
Fax : (+66) 0 2728-1779

Tinamics.com

SIRIUS Soft Starter 3RW34



Circuit variations

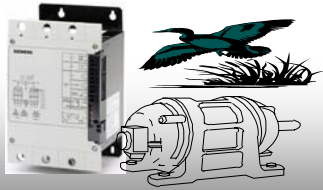


- ➔ • *"inside-delta-circuit"*
(6 wires to motor)
rated operational current of
SIKOSTART is only 58 %
of operational current of motor
- or
- ➔ • *"inline-circuit"*
(3 wires to motor)
rated operational current of
SIKOSTART
and motor is the same

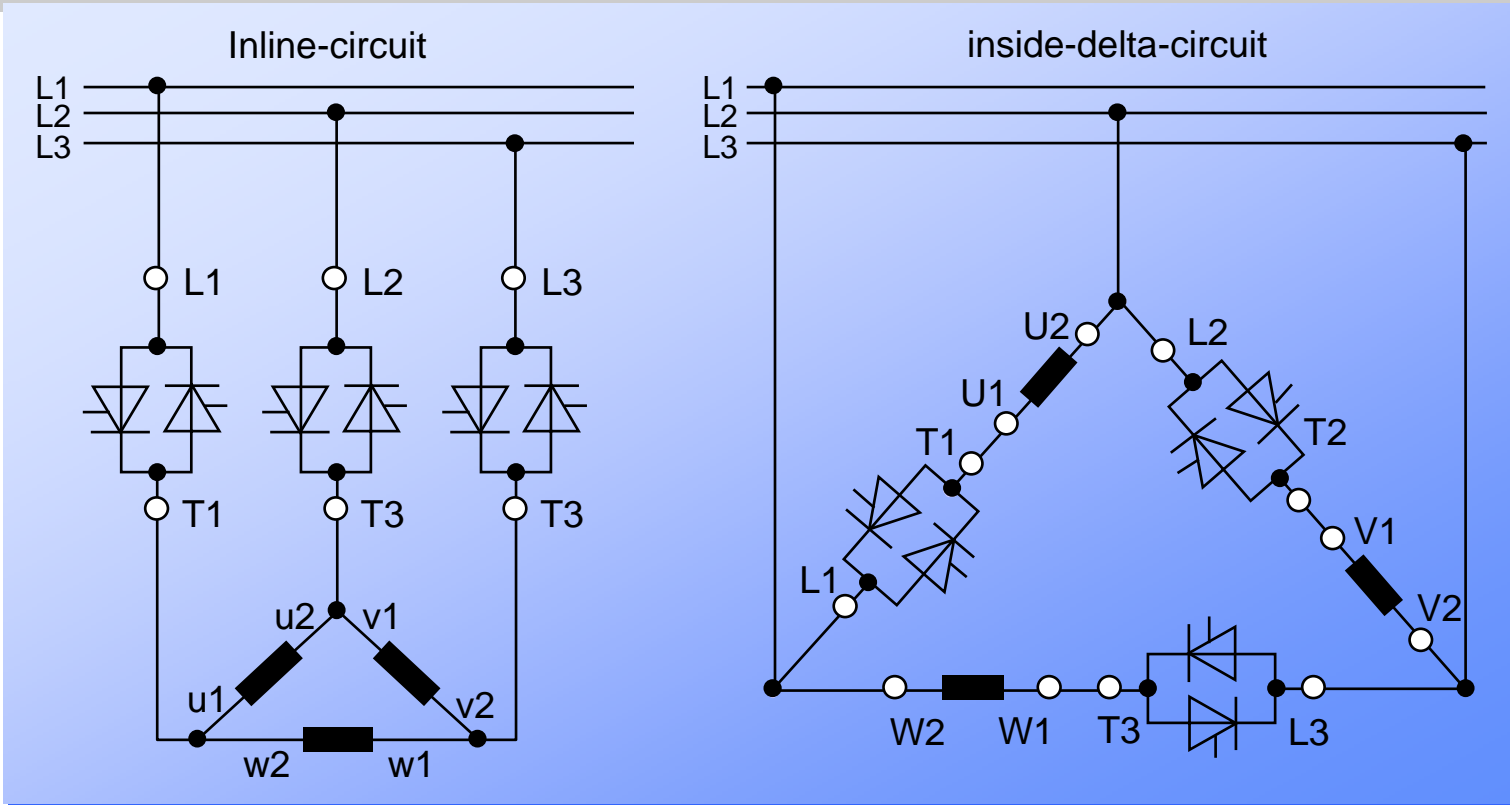
TINAMiCS Co., Ltd
25/285
RamKhamHaeng 124
Sapansoong,
Sapansoong,
Bangkok 10240

Tel. : (+66) 0 2728-2902
Fax : (+66) 0 2728-1779

Tinamics.com



Voltage options SIRIUS Soft Starter 3RW34



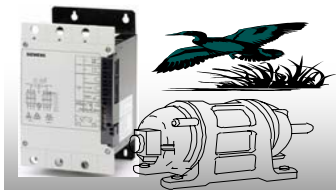
- ➡ • Rated operational voltage
200 V to 400 V and 230 V to 575 V; 50 / 60 Hz
- ➡ • Control voltage
DC 24 V and AC 230 V; AC 50 / 60 Hz

TINAMiCS Co., Ltd
25/285
RamKhamHaeng 124
Sapansoong,
Sapansoong,
Bangkok 10240

Tel. : (+66) 0 2728-2902
Fax : (+66) 0 2728-1779

Tinamics.com

SIRIUS Soft Starter 3RW34



- ➔ **•Inputs:**
"start input" for start and stop
- ➔ **•3 relay outputs:**
"ON"; "Bypassed"; "fault"
- ➔ **•2 LEDs:**
"ready"; "start"; "Bypassed "; "fault"
- ➔ **•Optional: controlling via AS-i bus:**
module which can be mounted onto control unit; complete control functions and feedback of all signals via AS-i bus



TINAMiCS Co., Ltd
25/285
RamKhamHaeng 124
Sapansoong,
Sapansoong,
Bangkok 10240

Tel. : (+66) 0 2728-2902
Fax : (+66) 0 2728-1779

Tinamics.com