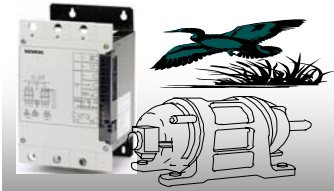
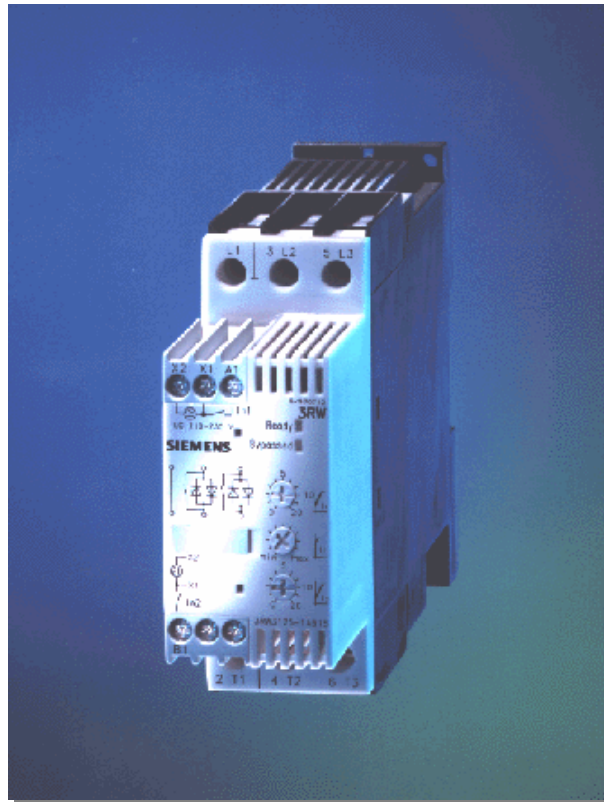


SIRIUS Soft Starter 3RW30



Circuit variations



3RW30 characteristics:

4 sizes

S00	⇒	➔ 45 mm 9 A
S0	⇒	➔ 45 mm 25 A
S2	⇒	➔ 55 mm 45 A
S3	⇒	➔ 70 mm 100 A

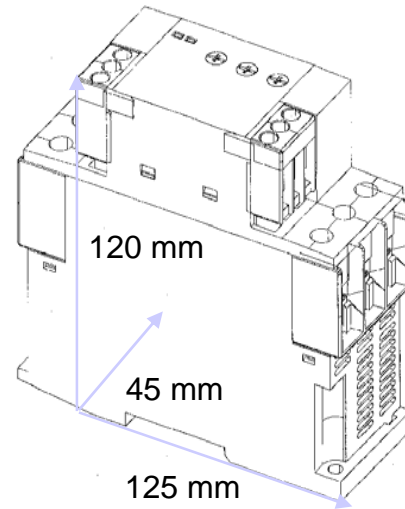
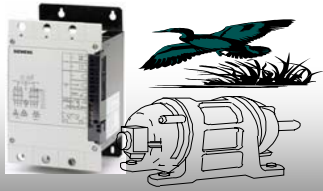
- ⇒ Can be combined with SIRIUS components; circuit-breakers, contactors and overload relays
- ⇒ Soft-start and soft-stop
- ⇒ "ON" and "Bypassed" signal

TINAMiCS Co., Ltd
25/285
RamKhamHaeng 124
Sapansoong,
Sapansoong,
Bangkok 10240

Tel. : (+66) 0 2728-2902
Fax : (+66) 0 2728-1779

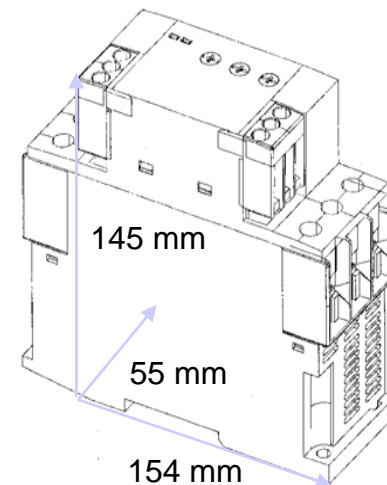
Tinamics.com

SIRIUS Soft Starter 3RW30



size S0
11 kW at 400V

- ➔ Voltage ramp
40 to 100 %
- ➔ Ramp time
0 to 20 s
- ➔ Low power loss due
to integrated bridging
after end of start



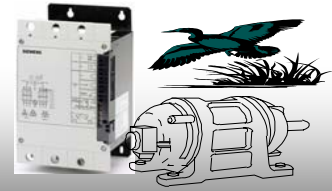
size S2
22 kW at 400V

TiNAMiCS Co., Ltd
25/285
RamKhamHaeng 124
Sapansoong,
Sapansoong,
Bangkok 10240

Tel. : (+66) 0 2728-2902
Fax : (+66) 0 2728-1779

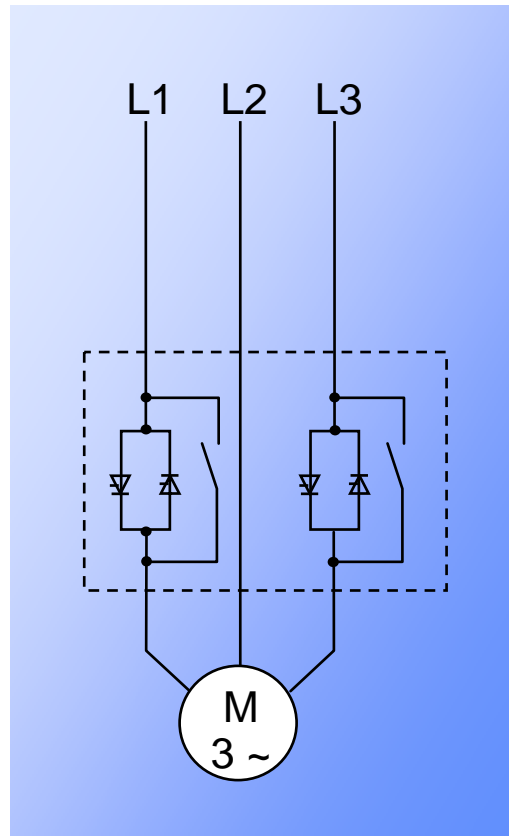
Tinamics.com

SIRIUS Soft Starter 3RW30



บริษัท ไทนามิกส์ จำกัด
Tinamics Co., Ltd.

3RW30 models :



2-phase control

- ➔ Optimal control of standard drives up to 45 kW
- ➔ Reduced current and torque during start

Integrated bridging contacts

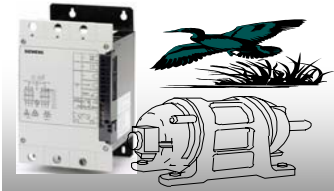
- ➔ No external by-pass contactor necessary
- ➔ Low power loss during continuous operation duty

TINAMiCS Co., Ltd
25/285
RamKhamHaeng 124
Sapansoong,
Sapansoong,
Bangkok 10240

Tel. : (+66) 0 2728-2902
Fax : (+66) 0 2728-1779

Tinamics.com

SIRIUS Soft Starter 3RW30

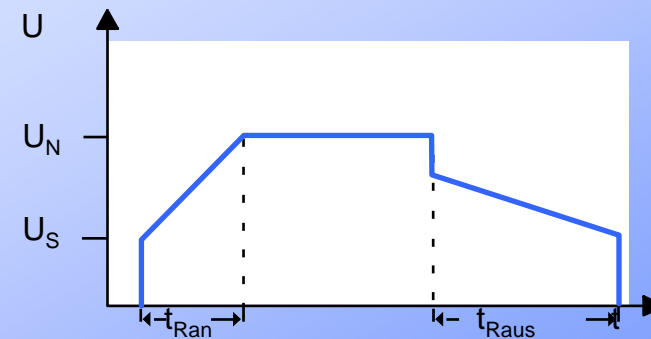


บริษัท ไทนามิกส์ จำกัด
Tinamics Co., Ltd.

3RW30 models:

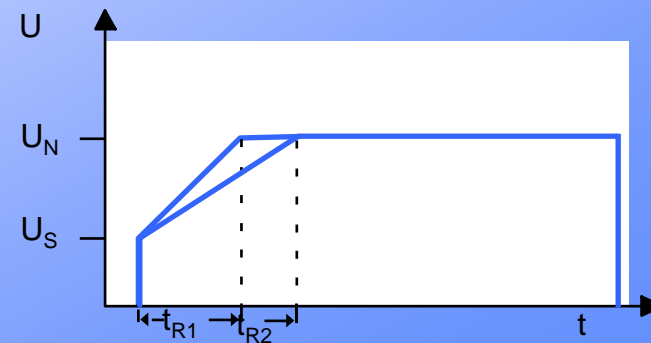
3RW30*standard model

- ⇒ Soft-start and soft-stop
- ⇒ Time for start and slowing down can be set independently (t_{Ran} and t_{Raus})
- ⇒ Single-speed motor operation



3RW31*special model

- Operation of pole-changeable motors (Dahlander)
- Ramp times for speed can be set independently (t_{R1} and t_{R2})



TINAMiCS Co., Ltd

25/285

RamKhamHaeng 124

Sapansoong,

Sapansoong,

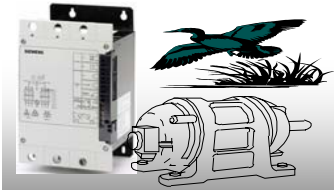
Bangkok 10240

Tel. : (+66) 0 2728-2902

Fax : (+66) 0 2728-1779

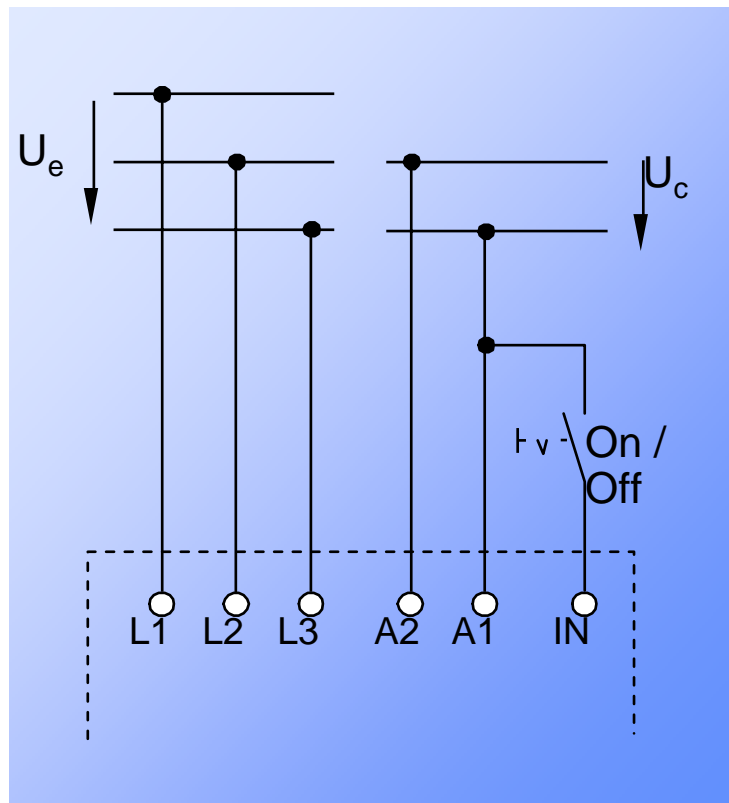
Tinamics.com

SIRIUS Soft Starter 3RW30



บริษัท ไทนามิกส์ จำกัด
Tinamics Co., Ltd.

3RW30 voltage options:



Two different supply voltages U_e

- ⇒ 200 V up to 460 V, 50/60 Hz
- ⇒ 460 V up to 575 V, 50/60 Hz

Two different control voltages U_c

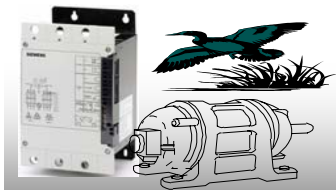
- ➔ UC 24 V (50/60Hz, DC)
- ➔ UC 110 up to 230 V (50/60Hz, DC)

TINAMiCS Co., Ltd
25/285
RamKhamHaeng 124
Sapansoong,
Sapansoong,
Bangkok 10240

Tel. : (+66) 0 2728-2902
Fax : (+66) 0 2728-1779

Tinamics.com

SIRIUS Soft Starter 3RW30



Model overview

Size	Ie[A] @ 40 °C	Ue 200V-460V	Ue 460V-575V	Us UC 24V	Us UC 110V-230V	Dahlander model 3RW31	Soft-start and soft-stop
S00	6	x	-	x	x	-	x
S00	9	x	-	x	x	-	x
S0	12,5	x	x	x	x	x	x
S0	16	x	x	x	x	x	x
S0	25	x	x	x	x	x	x
S2	32	x	x	x	x	-	x
S2	38	x	x	x	x	-	x
S2	45	x	x	x	x	-	x
S3	63	x	x	x	x	-	x
S3	75	x	x	x	x	-	x
S3	100	x	x	x	x	-	x

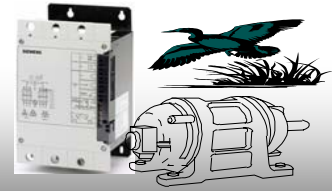
TINAMiCS Co., Ltd

25/285
RamKhamHaeng 124
Sapansoong,
Sapansoong,
Bangkok 10240

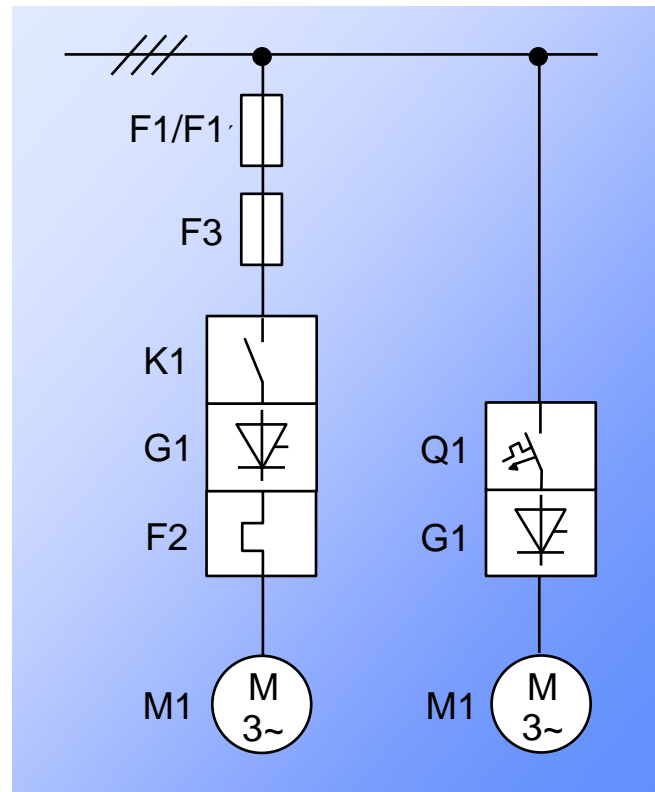
Tel. : (+66) 0 2728-2902
Fax : (+66) 0 2728-1779

Tinamics.com

SIRIUS Soft Starter 3RW30



Integration within the load feeder:



Fuseless design possible

Fused design optional:

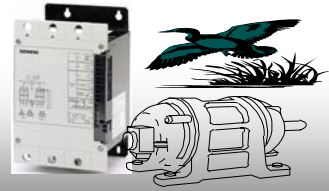
- ⇒ Line protection fuse F3
- ⇒ Semiconductor protection fuse F1
- ⇒ All-range fuse F1'

TINAMiCS Co., Ltd
25/285
RamKhamHaeng 124
Sapansoong,
Sapansoong,
Bangkok 10240

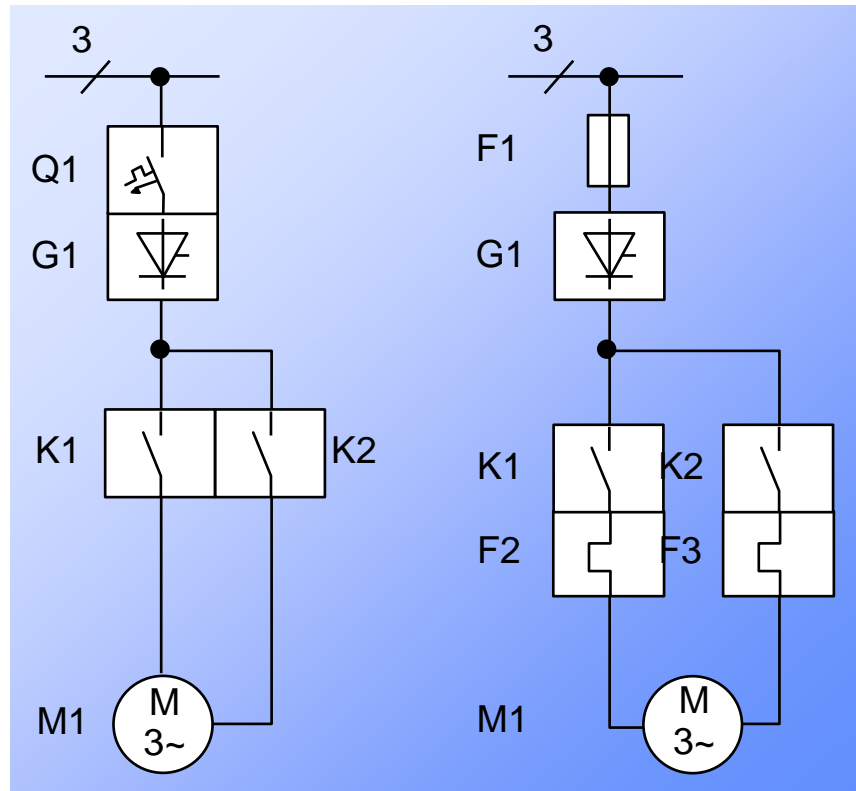
Tel. : (+66) 0 2728-2902
Fax : (+66) 0 2728-1779

Tinamics.com

SIRIUS Soft Starter 3RW30



Applications of the 3RW31 Dahlander model



⇒ Fuseless design due to combination of circuit-breakers and soft starters with subsequent reversing combination

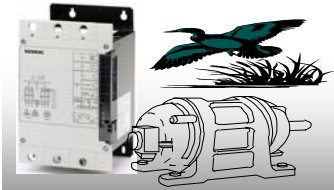
⇒ Fused design

TiNAMiCS Co., Ltd
 25/285
 RamKhamHaeng 124
 Sapansoong,
 Sapansoong,
 Bangkok 10240

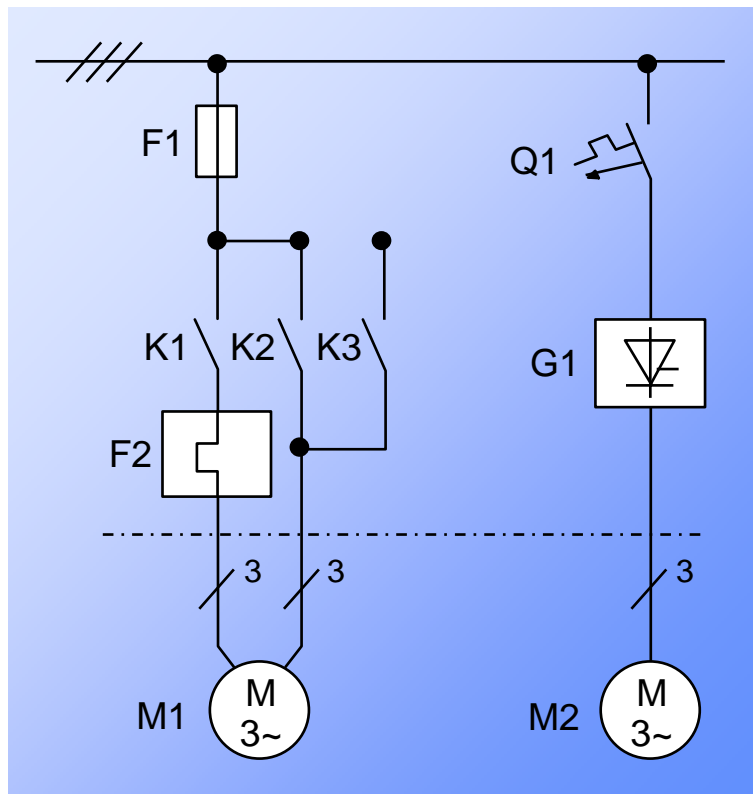
Tel. : (+66) 0 2728-2902
 Fax : (+66) 0 2728-1779

Tinamics.com

SIRIUS Soft Starter 3RW30



Comparison 3RW30/ star-delta starter:



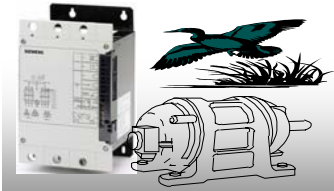
- ⇒ 1/3 of width
- ⇒ 3 wires instead of 6 to the motor
- ⇒ less components
- ⇒ optimized start due to numerous setting options
- ⇒ smooth slowing down possible

TiNAMiCS Co., Ltd
25/285
RamKhamHaeng 124
Sapansoong,
Sapansoong,
Bangkok 10240

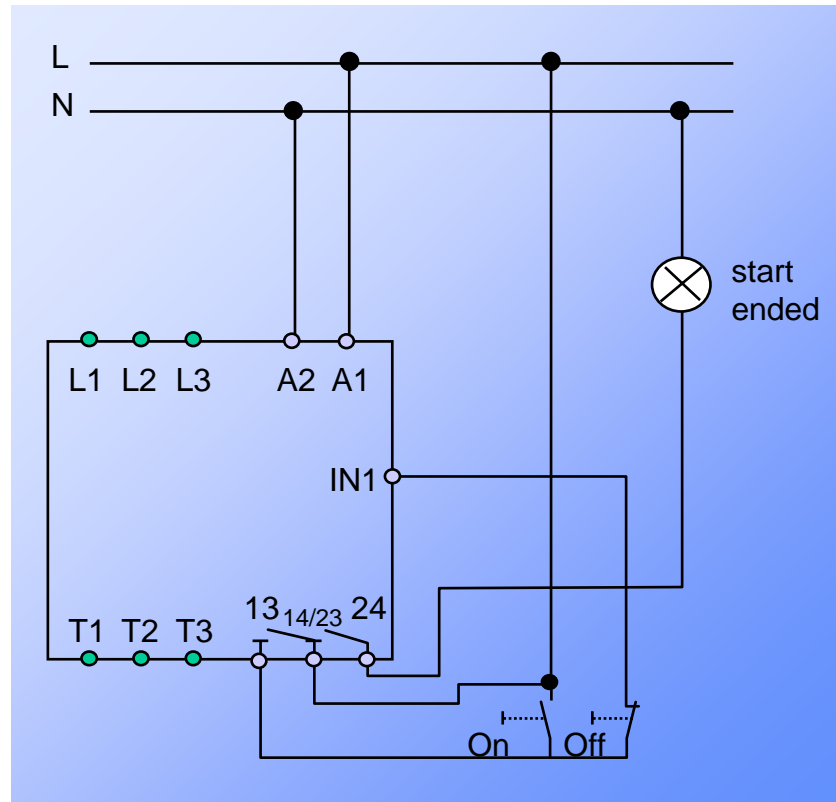
Tel. : (+66) 0 2728-2902
Fax : (+66) 0 2728-1779

Tinamics.com

SIRIUS Soft Starter 3RW30



Control options



- **via push-button**
(see example at the left)

- **via switches**
(between A1 and IN1)

- **automatic start**
(bridge between A1 and IN1)

TINAMiCS Co., Ltd
25/285
RamKhamHaeng 124
Sapansoong,
Sapansoong,
Bangkok 10240

Tel. : (+66) 0 2728-2902
Fax : (+66) 0 2728-1779

Tinamics.com